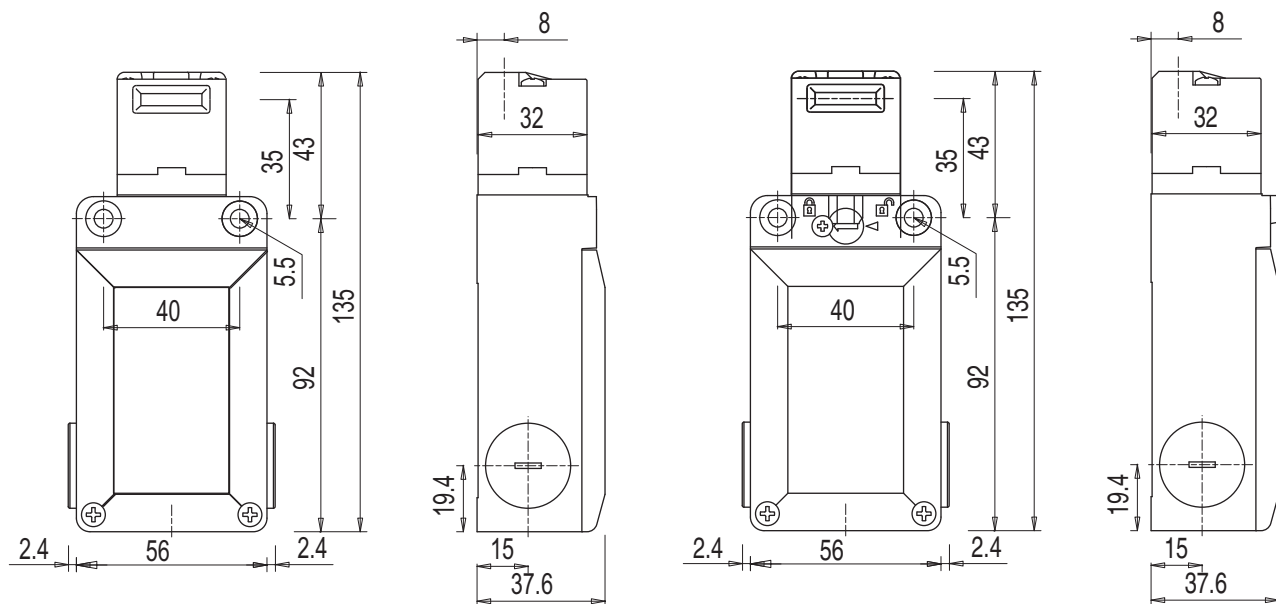


## SAFETY LOCKING DEVICES

### Dimensional drawings

#### Safety Locking Device



Safety Locking Device L100-P3C3-M20-SLM24,  
L100-P4C3-M20-SLM24

Safety Locking Device L100-P3C3-M20-MLM24

Dimensions in mm

Our 3D CAD models can be found under: [www.leuze.com/3d-cad-models](http://www.leuze.com/3d-cad-models).

#### Dimensional drawings: Accessories

See accessories, S200 all actuators, page 371.